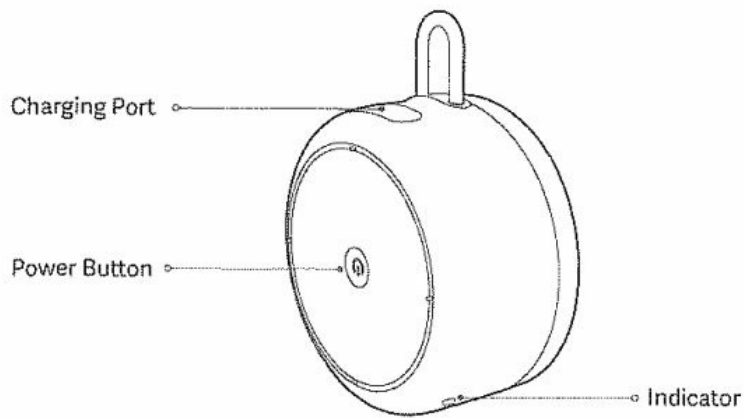




## **Mi Portable Speaker Instructions**

### ***Mi Portable Speaker BHR4802GL Instructions***

Read this manual carefully before use, and retain it for future reference.



## How to Use

### Charging

Charging the speaker when it is off, the indicator is orange and goes off once fully charged. Charging the speaker when it is on, there is no charging indication. Turning on the speaker when the battery is running low level, the indicator blinks orange. Please recharge it soon.

### Turning on

Press and hold the power button for 2 seconds. The indicator will be blue for 1 second, then the Mi Portable Bluetooth Speaker is turned on. The speaker is waiting for a connection when it is turned on for the first use.

### Turning off

Press and hold the power button for 2 seconds to turn off the Mi Portable Bluetooth Speaker.

### Resetting

If there is any problem with the sound, Bluetooth or battery charging, press and hold the power button for 12 seconds. The reset is completed after the indicator stays orange for 1 second.

## Connecting

### Connecting to a device

Press and hold the power button for 2 seconds. After the indicator is staying blue for 1 second, the speaker is turned on. Then the indicator blinks blue, indicating that the speaker is waiting for a connection. Enable the Bluetooth on your device, then locate and connect "Mi Portable Bluetooth Speaker". If a passcode is requested, enter "0000". Once the speaker and your device are successfully connected, the indicator remains on blue. If the speaker is not connected to any device within 30 minutes, it will automatically turn off.

### Automatic connection

Mi Portable Bluetooth Speaker will automatically connect to the recently paired Bluetooth device once it is turned on. If no connection history is detected, or it fails to connect to any Bluetooth device, the indicator blinks blue and the speaker will enter the awaiting connection mode.

**Note:** If the speaker cannot automatically connect to a device, you will need to manually connect the speaker to the desired device via its Bluetooth settings.

### Connecting to a new device

Make sure your speaker is off. To avoid it automatically connecting to the paired Bluetooth device, press and hold the power button for 6 seconds. The indicator stays blue for 1 second, while the Mi Portable Bluetooth Speaker is turned on and will enter the awaiting connection mode. Enable the Bluetooth on your new device, then connect the speaker with your device.

### Connection interrupted

When your device is out of wireless range of the speaker, the connection will be interrupted. If your device is relocated in the wireless range within 30 minutes, the speaker will then automatically reconnect to your device. If the speaker is not connected to any device within 30 minutes, it will automatically turn off.

When the Bluetooth on your device is disabled or the device is turned off, the speaker will automatically enter the awaiting connection mode.

## True Wireless Stereo Function

The true wireless stereo function allows two Mi Portable Bluetooth Speaker to Connect with each other for wireless audio with stereo effect.

Enabling true wireless ,stereo function

### Method A:

Connect speaker A with your device. Press the power button of the speaker A twice to enter the true wireless steric pairing mode. Turn on the speaker B, make sure it is waiting for a connection and not connected to any devices. The two speakers will then connect with each other automatically.

### Method B:

Turn on two Mi Portable Bluetooth Speaker, and make sure the two speakers are not connected to any devices Press either of two speakers' power button twice, the speakers will enter the true wireless stereo pairing mode and then connect with each other automatically. Enable the function on your device then connect, your device with the speakers

Disabling true wireless stereo function To disable the true wireless stereo function, press twice the power button of either speaker.

### Notes:

- When the speakers are successfully connected to your device, the true wireless stereo function is enabled The speaker with the indicator staying blue the right channel speaker, while the one with the indicator blinking blue is the left channel speaker. operations like~ Play/Pause are available on both speakers .
- When the true wireless stereo function is enabled during calls, only the right channel speaker works.

## Button Instructions

	Features	Operations
	Turning on	Press and hold the power button for 2 seconds
	Turning off	Press and hold the power button for 2 seconds
Call mode	Answering a call	Press the power button
	Ending a call	Press the power button
	Muting	Press the power button twice
Music mode	Playing	Press the power button
	Pausing	Press the power button
	Enabling/Disabling true wireless stereo function	Press the power button twice

## Specifications

Model: XMYX04WM      Net Weight: 190 g      Charging Port: Type-C      Input: 5 V= 1 A  
Wireless Connectivity: Bluetooth 5.0      Bluetooth Profiles: HFP/A2DP/AVRCP  
Wireless Range: 10 m (open space without obstacles)      Item Dimensions: 86 × 86 × 45 mm  
Bluetooth Operation Frequency: 2402–2480 MHz (for EU)      Maximum Transmit Power for BT: 10 dBm (for EU)  
Maximum Transmit Power for BLE: 10 dBm (for EU)

## WEEE Information



All products bearing this symbol are waste electrical and electronic equipment (WEEE as in directive 2012/19/EU) which should not be mixed with unsorted household waste. Instead, you should protect human health and the environment by handing over your waste equipment to a designated collection point for the recycling of waste electrical and electronic equipment, appointed by the government or local authorities. Correct disposal and recycling will help prevent potential negative consequences to the environment and human health. Please contact the installer or local authorities for more information about the location as well as terms and conditions of such collection points.

## EU Declaration of Conformity



Hereby, Tiinlab declares that the radio equipment type XMYX04WM is in compliance with Directive 2014/53/EU. The full text of the EU declaration of conformity is available at the following internet address: <http://www.mi.com/global/service/support/declaration.html>

<http://www.mi.com/global/service/support/declaration.html>

## Safety Caution

- Do not expose batteries or battery packs to excessive heat such as sunshine, fire or the like .
- Replacement of a battery with an incorrect type that can defeat a safeguard (each as catching fire, explosion, leakage of corrosive electrolyte etc).
- Disposal of a battery into fire or a hot oven, or mechanically crushing or cutting of a battery, that can result in an explosion.
- Leaving a battery in an extremely high temperature surrounding environment that can result in an explosion or the leakage of flammable liquid or gas .
- A battery subjected to extremely low air pressure that may result in an explosion or the leakage of flammable liquid or gas.
- Risk of explosion if battery is replaced by an incorrect type.
- Dispose of used batteries according to the instructions
- The product operation maximum ambient temperature is 40°C.
- The speaker can be used in tropical climates.
- No naked flame sources, such as lighted Candles, should be placed on the apparatus.
- Attention should be drawn to the environmental aspects of battery disposal.



To prevent possible hearing damage, do not listen at high volume levels for long periods.

The symbol indicates DC voltage

The marking information is located at the bottom of the speaker.

The Bluetooth® word mark and logos are registered trademarks owned by Bluetooth SIG, Inc. and any use of such marks by Xiaomi Inc. is under license. Other trademarks and trade names are those of their respective owners.

Manufactured for: Xiaomi Communications Co., Ltd.

Manufactured by: Tianlba Acoustic Technology Limited (a Mi Ecosystem company)

Address: Tianliao Building I-403, Tianliao Industrial Area A. Taoyuan Street. Nanshan District Shenzhen 518055, China

For further information, please go to [www.mi.com](http://www.mi.com)

## Documents / Resources